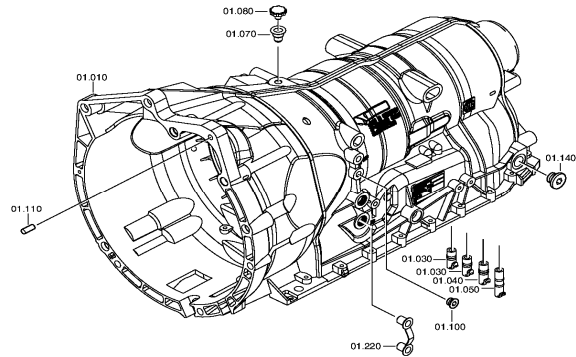


ZF 6HP19 Automatic Transmission - Available Spare Parts (REFERENCE ONLY*)

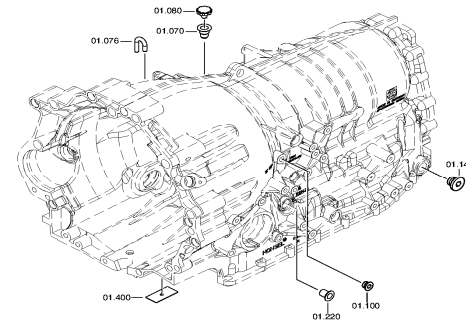


6 HP 19 - GEARBOX HOUSING



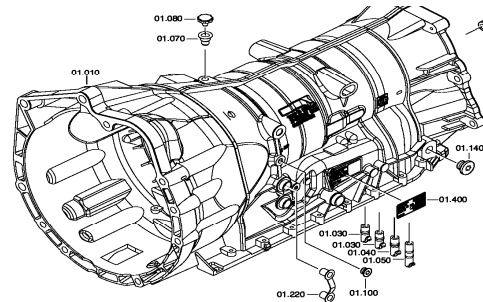
6 HP 19
BMW / M54

6 HP 19 A HOUSING



6 HP 19 A
Audi / VW

6 HP 19 X - GEARBOX HOUSING



6 HP 19 X
BMW

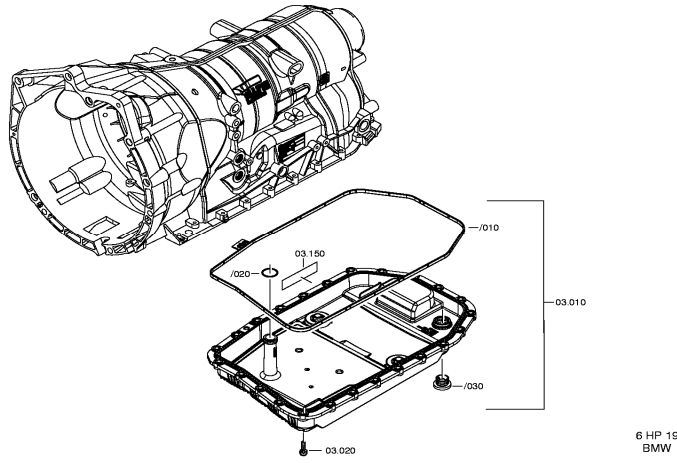
6HP19 Pos.#	6HP19A Pos.#	6HP19X Pos.#	Part #	Description
01.080	01.080	01.080	0501 314 809 01	VENT COVER
			0501 314 809 01	VENT COVER
			0501 314 851 01	BREATHER
01.010			1071 301 106 01	GEARBOX HOUSING

* This catalog is for reference only... part numbers may be changed in the future and may differ depending on transmission specification number.

ZF 6HP19 Automatic Transmission - Available Spare Parts (REFERENCE ONLY*)

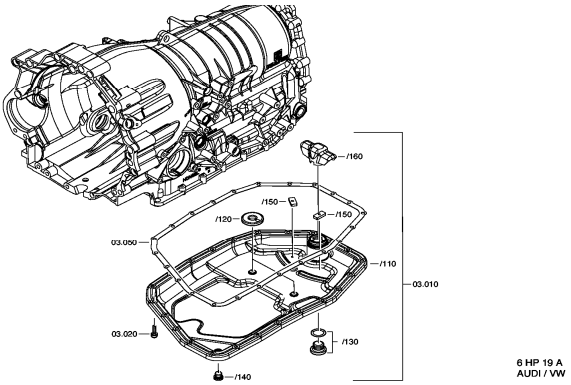


6 HP 19 - OIL SUMP



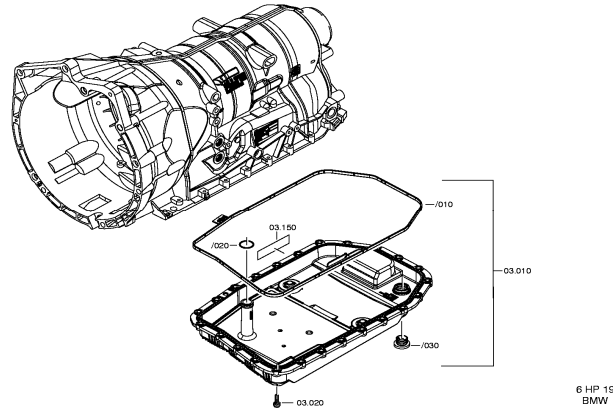
6 HP 19
BMW

6 HP 19 A OIL SUMP



6 HP 19 A
AUDI / VW

6 HP 19 X - OIL SUMP



6 HP 19
BMW

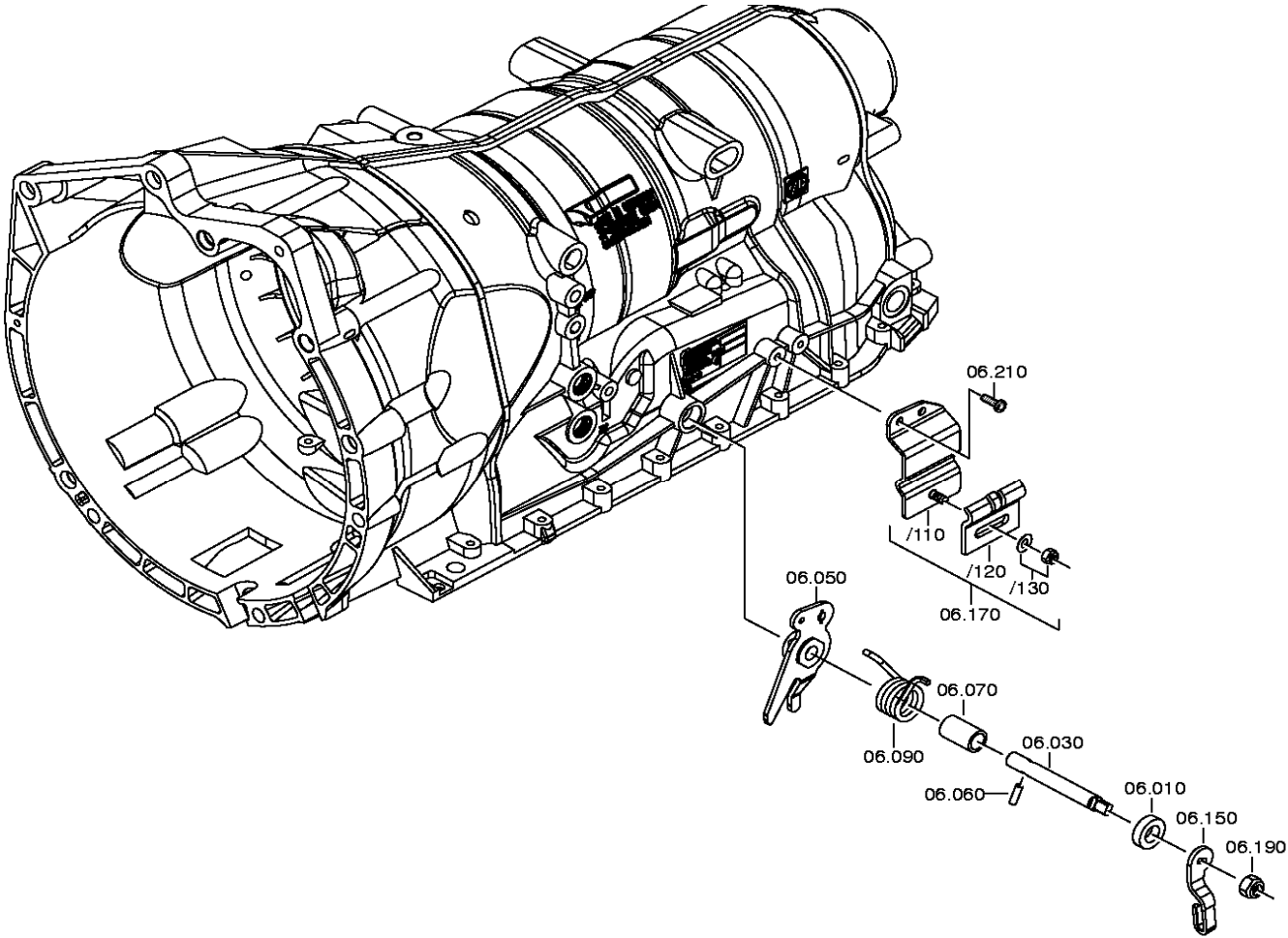
6HP19 Pos. #	6HP19A Pos. #	6HP19X Pos. #	Part #	Description
03.010/010			0501 320 984 01	PAN GASKET
03.010			0501 322 243 01	PAN FILTER / ASSEMBLY (with gasket)
03.010			1071 298 004 01	OIL SUMP
	03.010/110		1071 203 012 01	OIL SUMP
		03.010	1071 203 040 01	OIL SUMP

* This catalog is for reference only... part numbers may be changed in the future and may differ depending on transmission specification number.

ZF 6HP19 Automatic Transmission - Available Spare Parts (REFERENCE ONLY*)



6 HP 19 - GEARSHIFT SYST.



6 HP 19
BMW

6HP19 Pos. #	6HP19A Pos. #	6HP19X Pos. #	Part #	Description
06.060	06.060	06.060	0501 320 396 01	CLAMPING SLEEVE (Selector Shaft)
06.030			1071 306 002 01	SELECTOR SHAFT

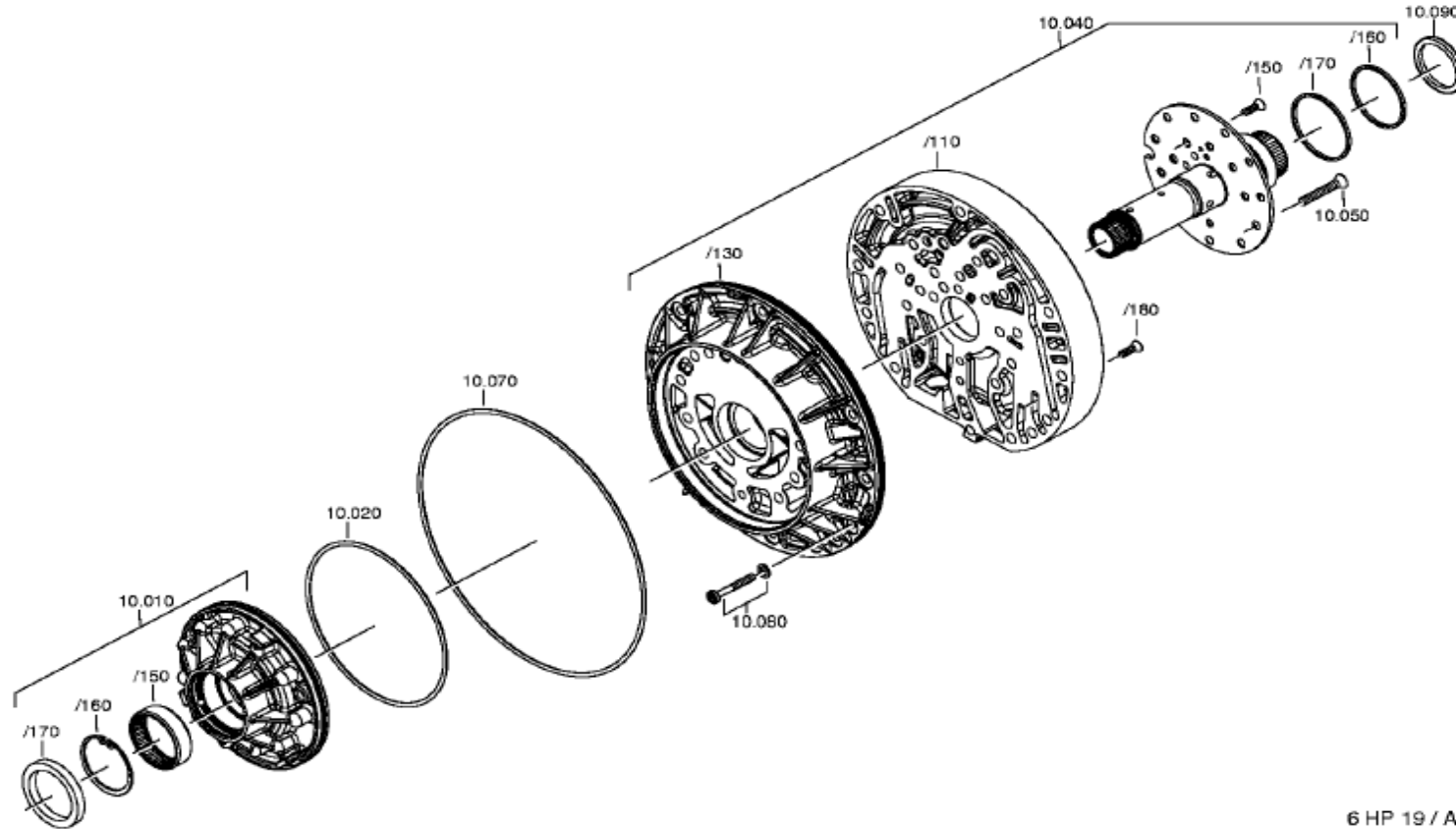
* This catalog is for reference only... part numbers may be changed in the future and may differ depending on transmission specification number.

ZF 6HP19 Automatic Transmission - Available Spare Parts (REFERENCE ONLY*)



OIL SUPPLY

* depending on parts list no.



6 HP 19 / A

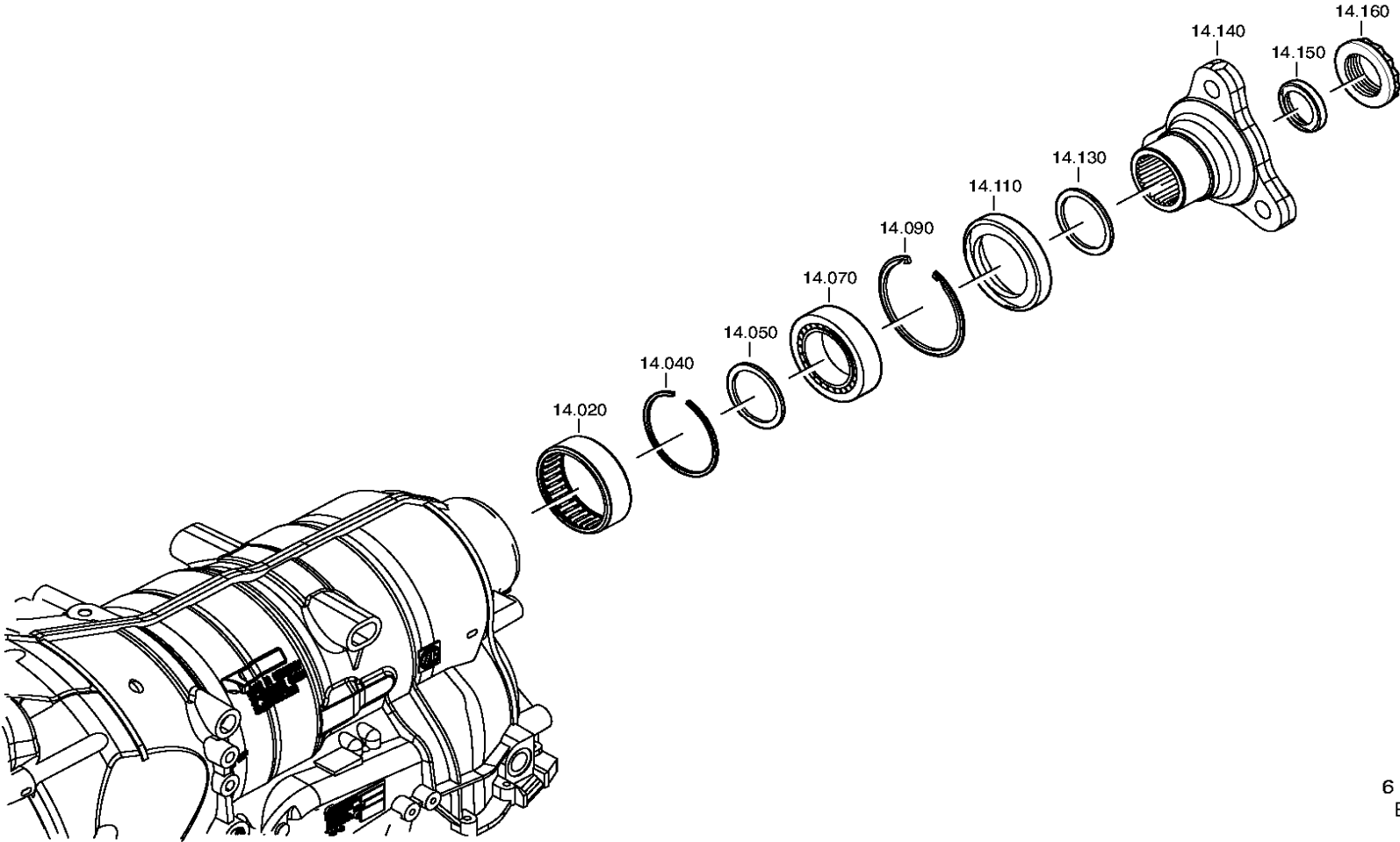
6HP19	6HP19A	6HP19X	Part #	Description
Pos. #	Pos. #	Pos. #		
10.040	10.04		1071 210 074 01	INTERMEDIATE PLATE (KPL)
10.040/130	10.040/130	10.040/130	1071 310 116 01	CENTERING PLATE (Pump/Int. Plate)

* This catalog is for reference only... part numbers may be changed in the future and may differ depending on transmission specification number.

ZF 6HP19 Automatic Transmission - Available Spare Parts (REFERENCE ONLY*)



6 HP 19 - OUTPUT



6 HP 19
BMW

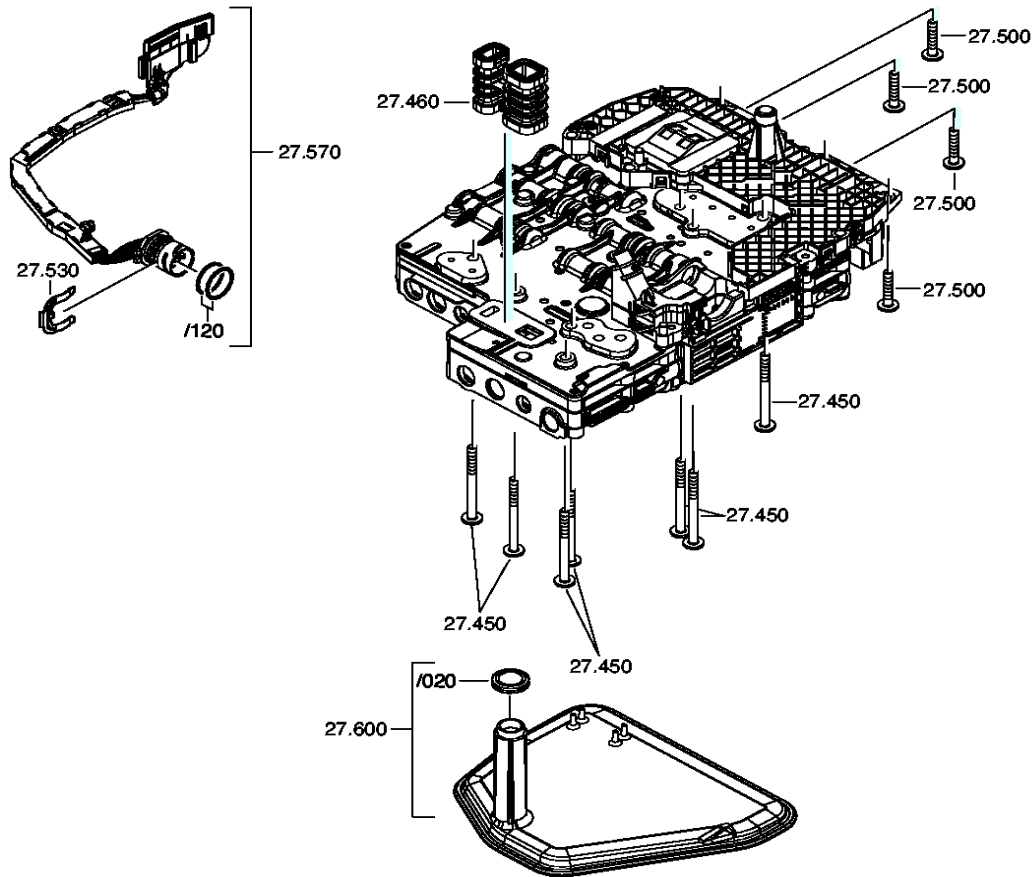
6HP19	6HP19A	6HP19X	Part #	Description
Pos. #	Pos. #	Pos. #		
14.140			1071 314 006 01	OUTPUT FLANGE

* This catalog is for reference only... part numbers may be changed in the future and may differ depending on transmission specification number.

ZF 6HP19 Automatic Transmission - Available Spare Parts (REFERENCE ONLY*)



6 HP 19 A - MECHATRONIC

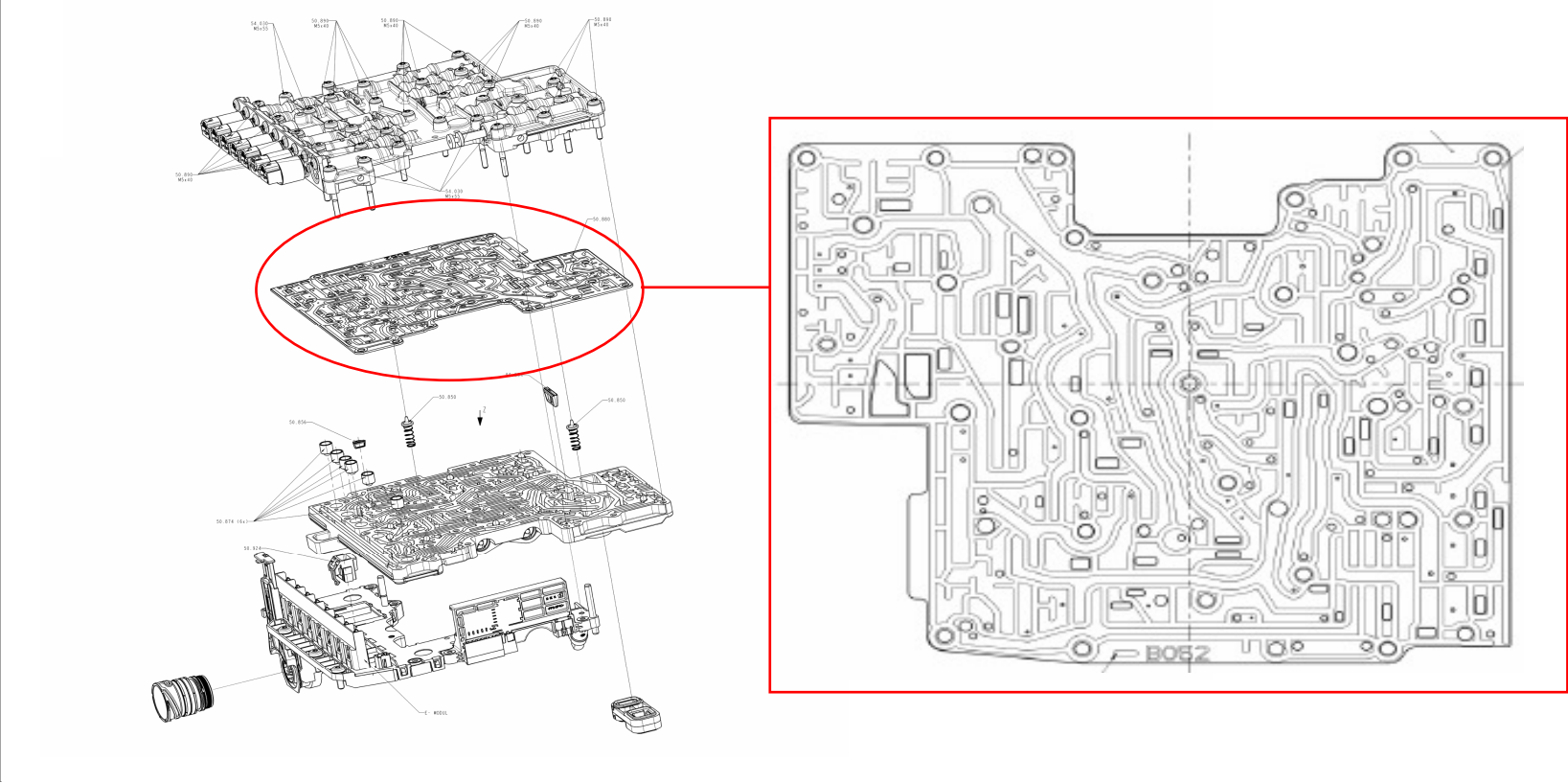


6 HP 19 A
AUDI

6HP19	6HP19A	6HP19X		
Pos. #	Pos. #	Pos. #	Part #	Description
	27.570/120		0501 209 253 01	O-RING (Mechatronic Wiring Harness)

* This catalog is for reference only... part numbers may be changed in the future and may differ depending on transmission specification number.

ZF 6HP19 Automatic Transmission - Available Spare Parts (REFERENCE ONLY*)



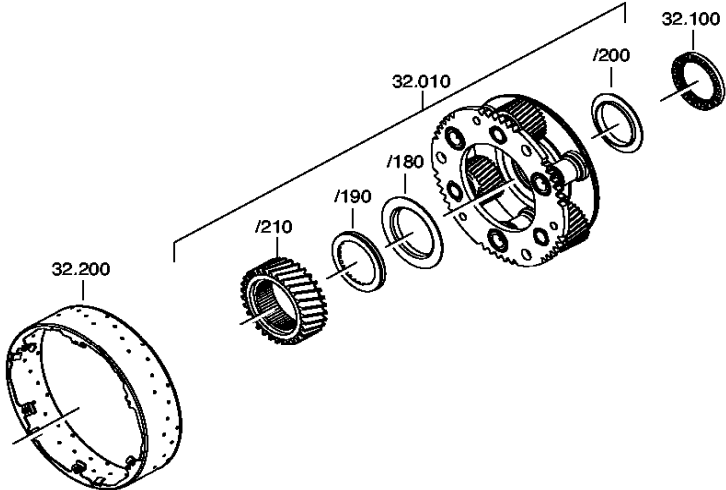
6HP19 Pos. #	6HP19A Pos. #	6HP19X Pos. #	Part #	Description
			1068 227 035 01	INTERMEDIATE SHEET
50.880			1068 227 047 01	INTERMEDIATE SHEET
	50.880		1068 227 051 01	INTERMEDIATE SHEET
50.880	50.880		1068 227 052 01	INTERMEDIATE SHEET
50.880			1068 227 053 01	INTERMEDIATE SHEET

* This catalog is for reference only... part numbers may be changed in the future and may differ depending on transmission specification number.

ZF 6HP19 Automatic Transmission - Available Spare Parts (REFERENCE ONLY*)



6 HP 19 - PLANETARY DRIVE



6 HP 19 / X / A

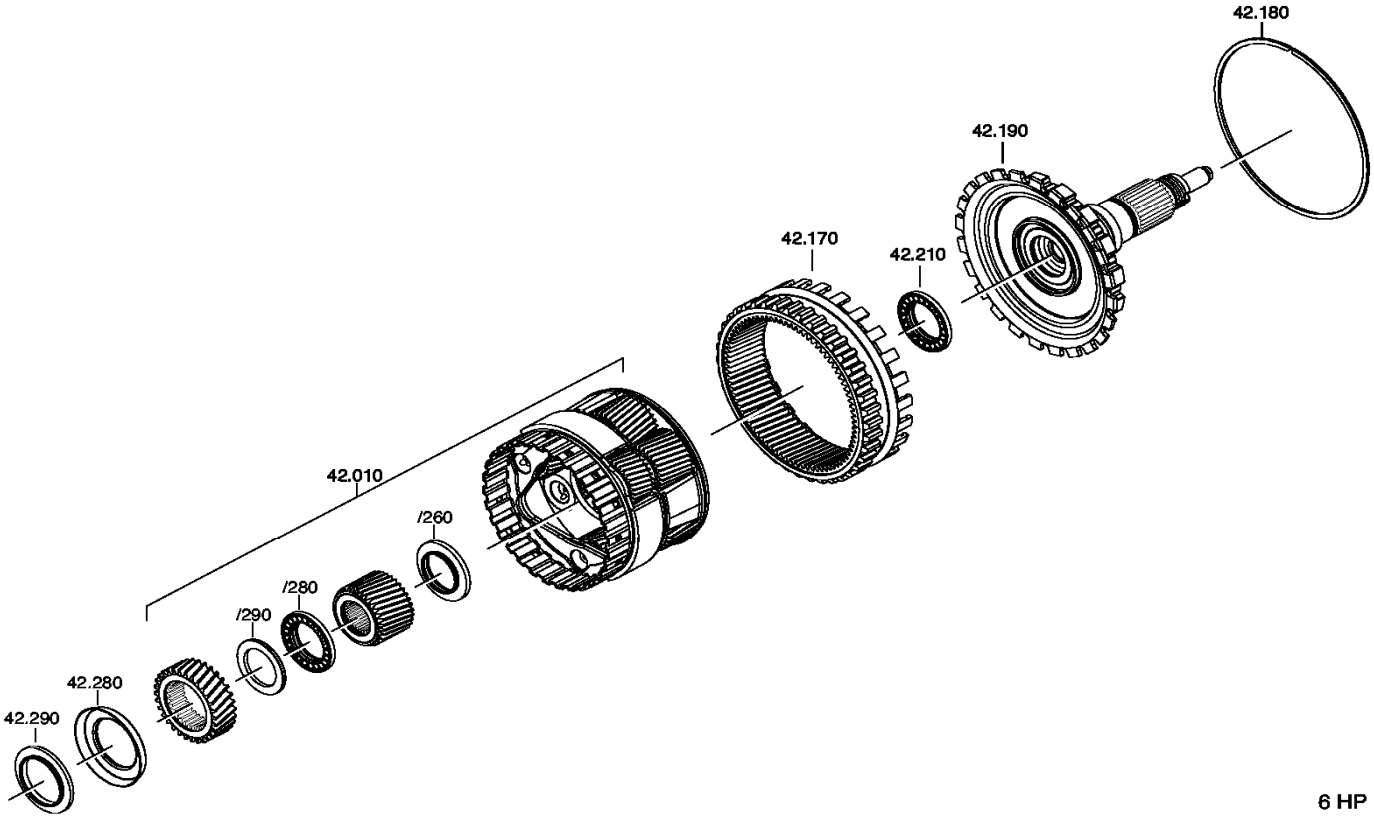
6HP19	6HP19A	6HP19X	Part #	Description
Pos. #	Pos. #	Pos. #		
32.200	32.200	32.200	1071 370 018 01	OIL COLLECTOR PLATE (front planetary)

* This catalog is for reference only... part numbers may be changed in the future and may differ depending on transmission specification number.

ZF 6HP19 Automatic Transmission - Available Spare Parts (REFERENCE ONLY*)



Rear Planetary 6 HP 19 - PLANETARY DRIVE



6 HP 19
BMW

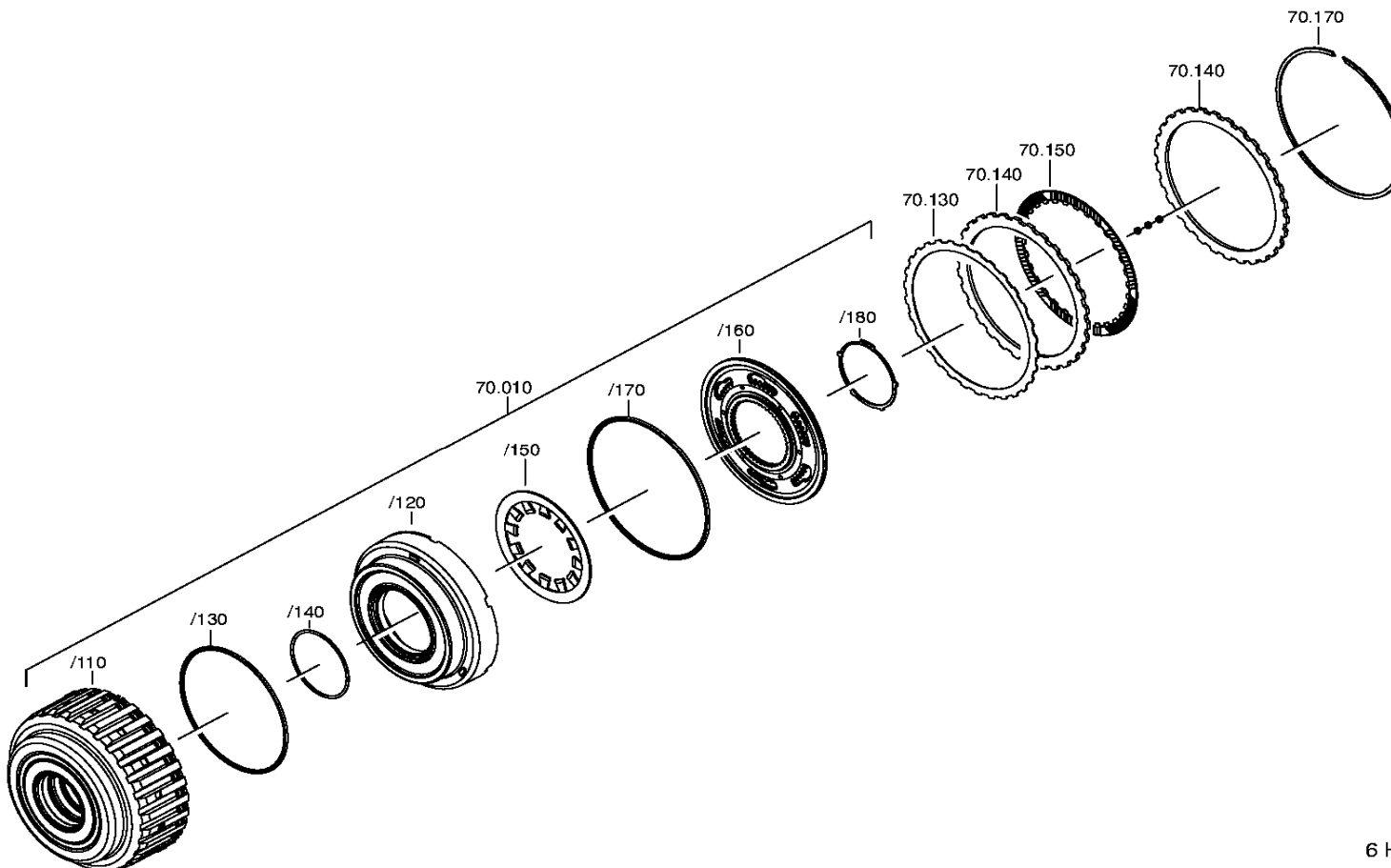
6HP19	6HP19A	6HP19X	Part #	Description
Pos. #	Pos. #	Pos. #		
42.260	42.260	42.260	1071 373 021 01	STOP RING (Rear planetary/Clutch D) not shown

* This catalog is for reference only... part numbers may be changed in the future and may differ depending on transmission specification number.

ZF 6HP19 Automatic Transmission - Available Spare Parts (REFERENCE ONLY*)



Clutch A 6 HP 19 - COUPLING



6 HP 19 / A

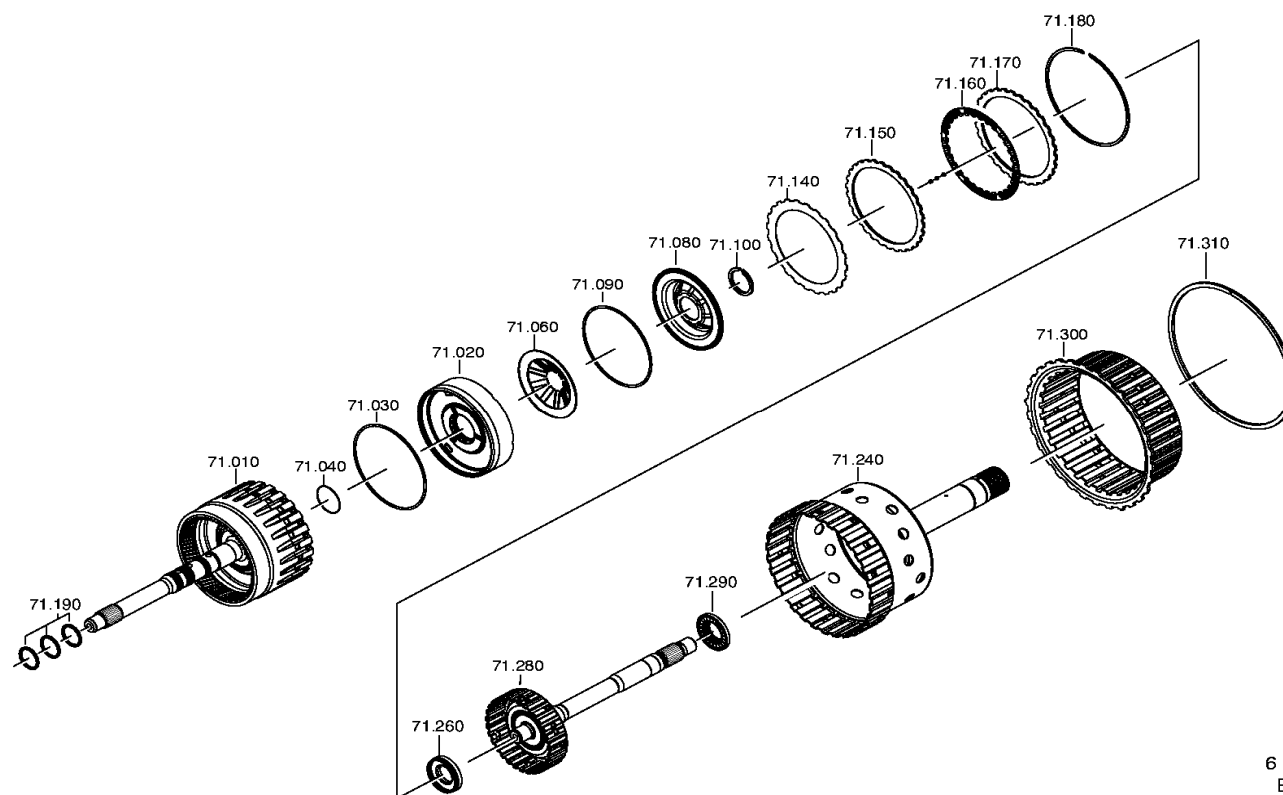
6HP19	6HP19A	6HP19X	Part #	Description
70.010	70.010	70.010	1071 270 019 01	CYLINDER "A" (Complete) 4 plates
70.150	70.150	70.150	1071 272 005 01	FRICTION PLATE A
70.010/160	70.010/160	70.010/160	1071 370 031 01	OIL DAM (A Clutch)
70.010/120	70.010/120	70.010/120	1071 370 037 01	PISTON (A Clutch)
70.140	70.140	70.140	1071 372 010 01	STEEL PLATE A

* This catalog is for reference only... part numbers may be changed in the future and may differ depending on transmission specification number.

ZF 6HP19 Automatic Transmission - Available Spare Parts (REFERENCE ONLY*)



Clutch E 6 HP 19 - COUPLING



6 HP 19
BMW

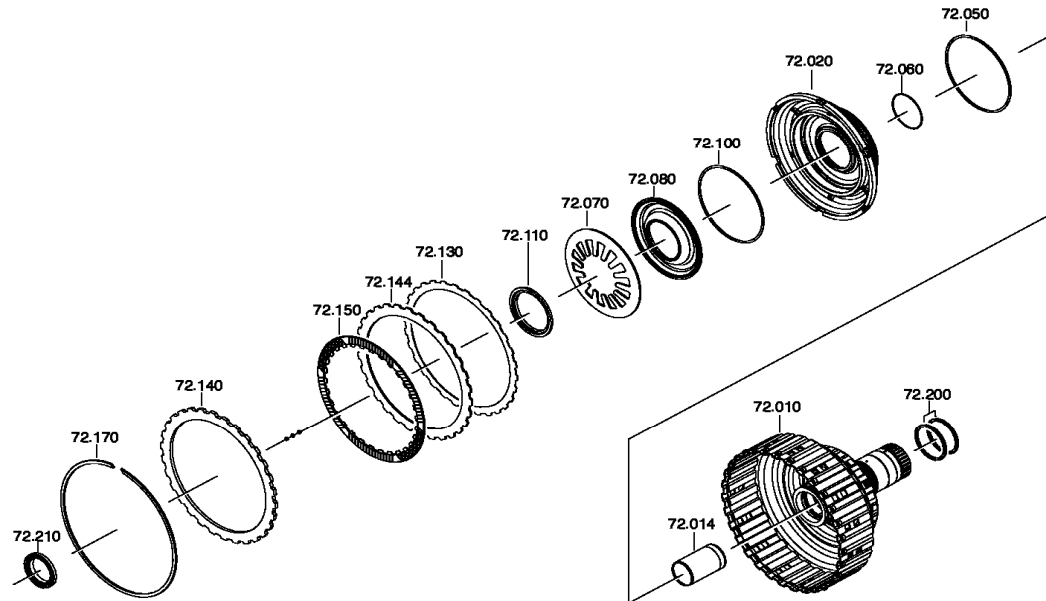
6HP19	6HP19A	6HP19X	Part #	Description
71.160	71.160	71.160	1071 271 033 01	FRICITION PLATE E
71.020	71.020	71.020	1071 371 005 01	PISTON (E Clutch 5/6 plates)
71.150		71.150	1071 371 048 01	STEEL PLATE E (2.1mm)
71.020		71.020	1071 371 056 01	PISTON (E Clutch 4 plates)
71.080	71.080	71.080	1071 371 064 01	OIL DAM (E Clutch)
71.094	71.094	71.094	1071 371 090 01	FIXING PLATE (E Clutch) Not shown in parts breakdown
71.170	71.170	71.170	1071 371 093 01	O.CLUTCH DISC (End Plate Clutch E 6 plates)
71.170	71.170	71.170	1071 371 094 01	O.CLUTCH DISC (End plate Clutch E 4/5 plates)

* This catalog is for reference only... part numbers may be changed in the future and may differ depending on transmission specification number.

ZF 6HP19 Automatic Transmission - Available Spare Parts (REFERENCE ONLY*)



Clutch B 6 HP 19 - COUPLING



6 HP 19 / X
BMW

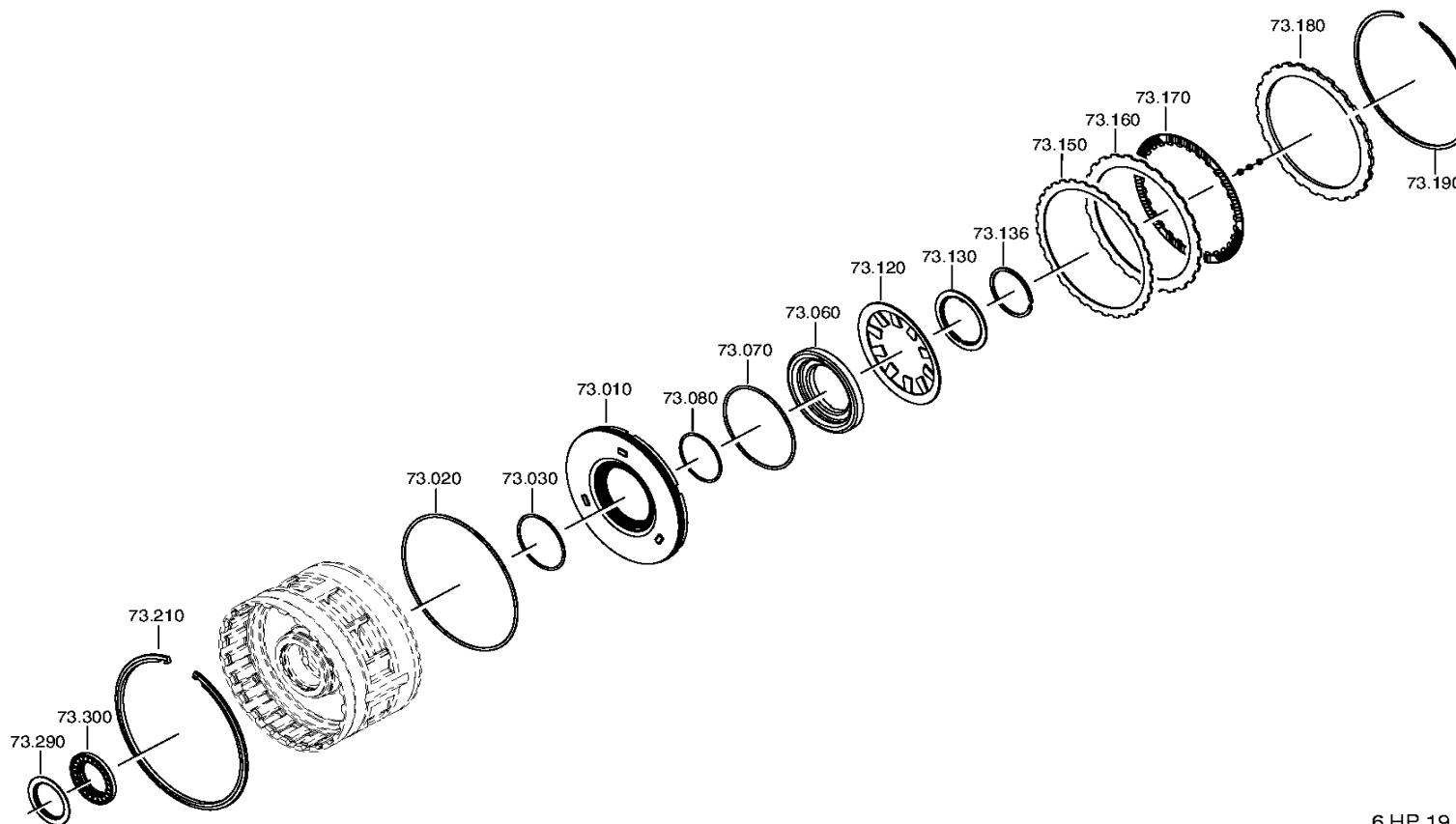
6HP19	6HP19A	6HP19X	Part #	Description
Pos. #	Pos. #	Pos. #		
72.150	72.150	72.150	1071 272 004 01	FRICITION PLATE B
72.110	72.110	72.110	1071 372 008 01	SPLIT RING (Clutch B)
72.080	72.080	72.080	1071 372 023 01	OIL DAM (Clutch B)
72.144	72.144	72.144	1071 372 025 01	STEEL PLATE B
72.020	72.020	72.020	1071 372 052 01	PISTON (B Clutch 6 plates)
72.020	72.020	72.020	1071 372 053 01	PISTON (B Clutch 5 plates)
72.140	72.140	72.140	1071 372 061 01	O.CLUTCH DISC (End plate clutch B)

* This catalog is for reference only... part numbers may be changed in the future and may differ depending on transmission specification number.

ZF 6HP19 Automatic Transmission - Available Spare Parts (REFERENCE ONLY*)



Clutch D 6 HP 19 - COUPLING



6 HP 19 / A

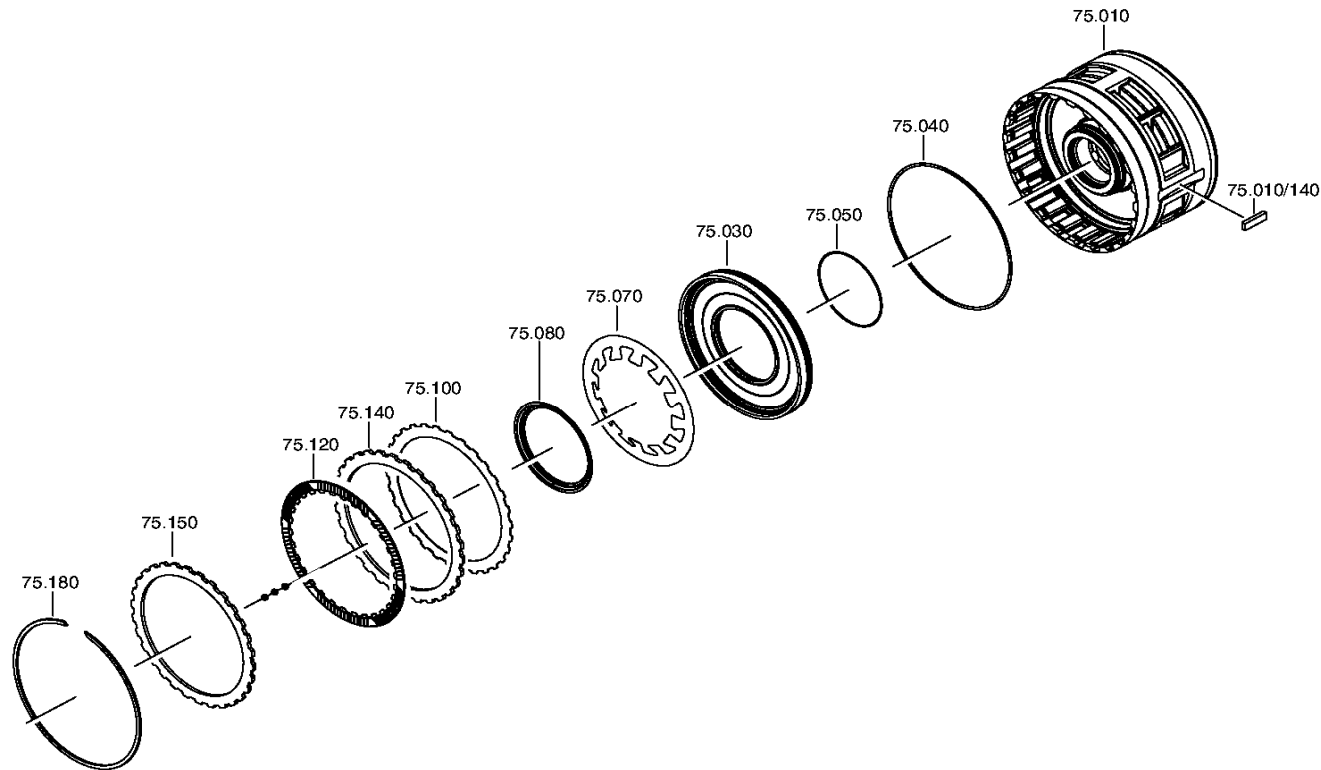
6HP19	6HP19A	6HP19X	Part #	Description
Pos. #	Pos. #	Pos. #		
73.170	73.170	73.170	1071 273 003 01	FRICITION PLATE D
73.010	73.010	73.010	1071 373 014 01	PISTON (clutch D)
73.180	73.180	73.180	1071 373 006 01	O.CLUTCH DISC (End plate Clutch D)
73.160	73.160	73.160	1071 373 009 01	STEEL PLATE D

* This catalog is for reference only... part numbers may be changed in the future and may differ depending on transmission specification number.

ZF 6HP19 Automatic Transmission - Available Spare Parts (REFERENCE ONLY*)



Clutch C / Cylinder C/D 6 HP 19 - COUPLING



6 HP 19 / A

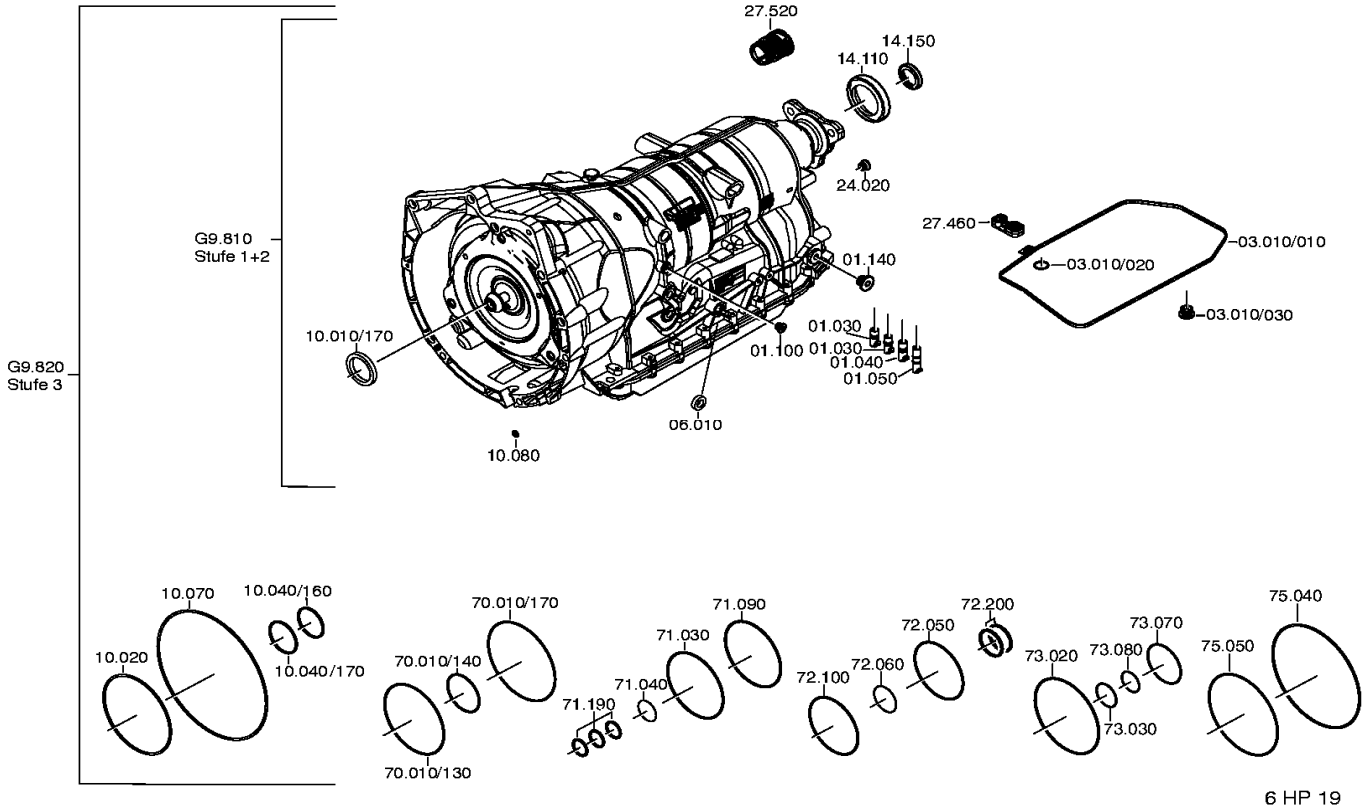
6HP19	6HP19A	6HP19X	Part #	Description
Pos. #	Pos. #	Pos. #		
75.120	75.120	75.120	1071 275 005 01	FRICITION PLATE C
75.010	75.010	75.010	1071 275 021 01	CYLINDER C/D
75.140	75.140	75.140	1071 375 006 01	O.CLUTCH DISC C
75.150	75.150	75.150	1071 375 007 01	O.CLUTCH DISC (End plate clutch C)
75.030	75.030	75.030	1071 375 036 01	PISTON (Clutch C)

* This catalog is for reference only... part numbers may be changed in the future and may differ depending on transmission specification number.

ZF 6HP19 Automatic Transmission - Available Spare Parts (REFERENCE ONLY*)



6 HP 19 - SEAL KIT



6HP19	6HP19A	6HP19X		
Pos. #	Pos. #	Pos. #	Part #	Description
G9.820			1071 298 002 01	SEAL KIT

* This catalog is for reference only... part numbers may be changed in the future and may differ depending on transmission specification number.